



Industrial & Electrical Components

Miniature PCB Relay

Part No.

NRP-20



- 25A 277VAC
- The contact form construction is 1A
- Sealed type available

CONTACT

Arrangement	1A
Contact Material	Silver Alloy
Contact Resistance (At 6VDC 1A)	100 mΩ
Rating	
Resistive load (Cos.Φ=1)	25A 277VAC
Max. Allowable Voltage	277VAC/30VDC
Max. Allowable Current	25A
Max. Allowable Power	6925VA/750W
Service life	
Electrical	1 X 10 ⁵
Mechanical	1 X 10 ⁷

CHARACTERISTICS

Operate Time	≅ 15ms
Release Time	≅ 5 ms
Dielectric Strength	
Between contact and coil	AC 4500VAC 50/60Hz 1min
Between open contacts	AC 1000VAC 50/60Hz 1min
Insulation Resistance	Min.100M((500 VDC)
Ambient temperature	-40 °C ~+105 °C
Humidity	5% ~ 85%RH
Shock:	
Strength	980m/s ²
Stability	98m/s ²
Vibration	
Endurance	10 to 55 Hz , 1.5mm D.A.
Damage	10 to 55 Hz , 1.5mm D.A.
Unit weight	about 23g

ORDERING INFORMATION

e.g

NRP - 20 - A - 12D - P

- ① ② ③ ④ ⑤

① Series: Miniature P.C.B. relay

② Part No.

③ Contact Form: A = N/O;

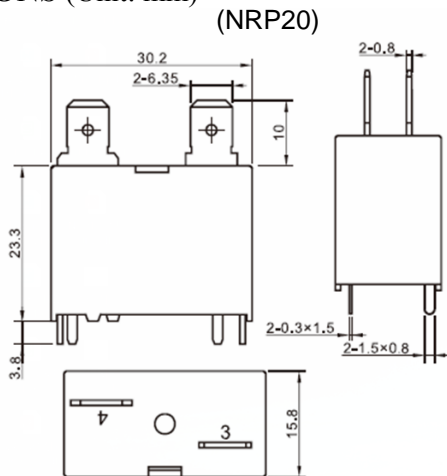
④ Coil Voltage: 12D=12VDC,24D=24VDC

⑤ Terminal type:Blank:standard type P:PCB type

COIL DATA (at 20°C)

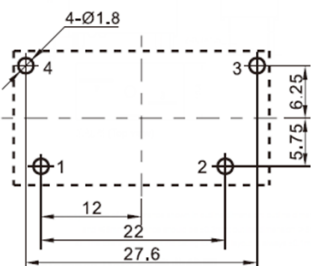
Nominal Voltage (VDC)	Pick-up Voltage VDC(Max)	Drop-out Voltage VDC(Min)	Coil Resistance (Ω)±10%	Nominal operating Power (W)	Max.Allowable Voltage
5	3.75	0.50	27.8	0.9	130% of nominal Voltage
12	9.00	1.20	160.0		
24	18.00	2.40	640.0		
48	36.00	4.80	2560.0		

DIMENSIONS (Unit: mm)

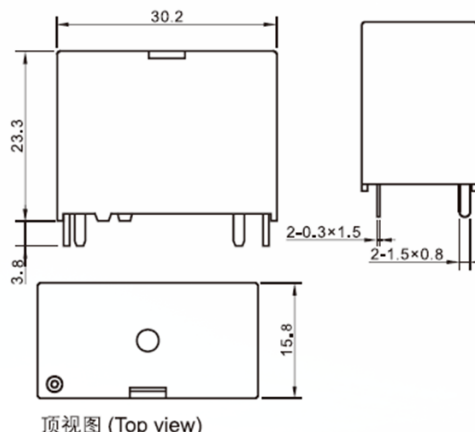


顶视图 (Top view)

安装孔尺寸 PCB layout(底视图 Bottom view)

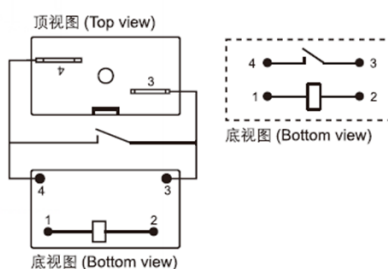


(NRP20-P)



顶视图 (Top view)

接线图 Wiring Diagram (底视图 Bottom view)

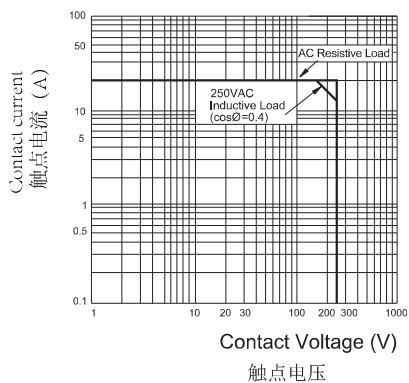


底视图 (Bottom view)

Reference Data 性能曲线图

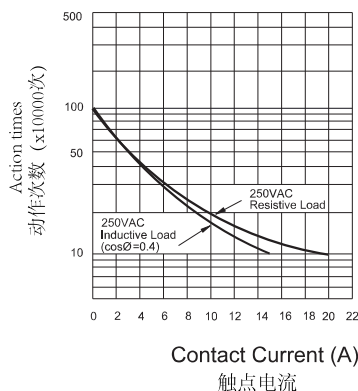
MAXIMUM SWITCHING POWER

最大切换功率



ENDURANCE CURVE

电耐久曲线



Disclaimer:

The specifications in this datasheet are for reference only and subject to change without notice.No chance for us to evaluate all the specifications and technical parameters for each possible application.The users will take the responsibility to choose the correct products for their own applications. While if any technical support is needed, please contact NCR team for assistance.