

NHN-TPD1

Power Outlet Module 电源插座模块



产品特点 FEATURES

- 本端子台专为交流控制电路设计;
- 将一组交流进线改为插座输出, 方便外接显示器及笔记本等;
- 端子台装有一路保险丝, 可兼作短路保护使用;
- 带有电源显示LED以及保险丝断路警示LED。
- This terminal block is specially designed for AC control circuit;
- The outlet output instead AC, it is easy to connect with the display and computer;
- There is a fuse in the terminal block. And it can use for the short current production;

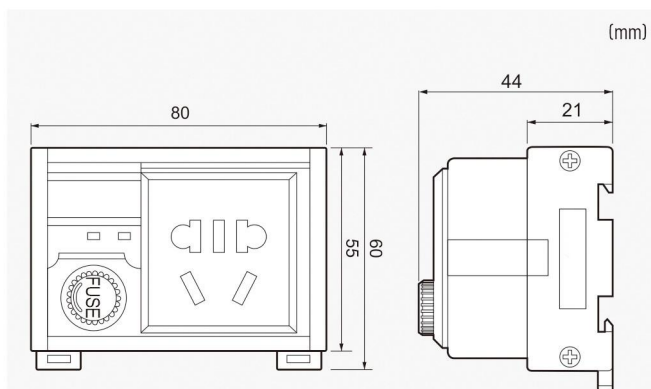
注意事项 Note

本端子台与外壳绝缘, 如果需要将端子台与电箱外壳导通, 请单独连接。
The terminal station and shell are insulative, and if terminal stations and electric box shell need to be conductive, please connect separately.

规格参数 SPECIFICATIONS

• 输入 Input	额定电流 Nominal operating current	10A
	额定电压 Nominal coil voltage	AC220V
	输入侧对应 Corresponding input Devices	不限品牌及PLC
• 输出侧对应 Corresponding output Devices	Solenoid, Warning light, Relay or Contactor	
• 适合电线 For wire	2.5mm ² Following/AWG13	

外形尺寸图 DIMENSIONS



注意事项 Note:

- 可安装在标准35mm的DIN导轨上
- DIN Rail Mounting: Standard 35mm DIN RAIL.

适合压着端子 SUITABLE FOR TERMINALS

名称 Name	实物图 Physical diagram	尺寸图 Size diagram
叉型裸端子 Forked Bare Terminal		 MAX6.2mm MIN3.2mm MAX5.8mm MIN4.2mm
圆形裸端子 Needle Bare Terminal		 MAX6.2mm MAX3.2mm MAX4.2mm MIN5.8mm

接线图 WIRING DIAGRAM

